

INSTRUCTION MANUAL



Installation of this product must be carried out by a qualified professional.

TAS 410F

ACTIVE BOX WITH 1 10 INCH SPEAKER

The TAS 410F active speaker was designed to reproduce low frequencies, known as sub-bass. Responsible for reproducing deep and impactful sounds in receiver systems with a frequency response of (10Hz to 250Hz), it guarantees accurate and natural audio reproduction throughout its entire range.



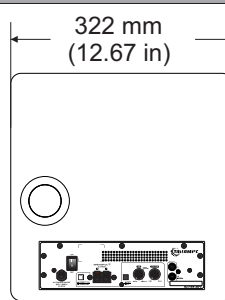
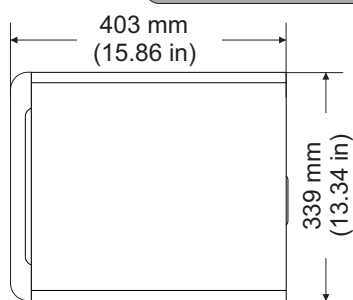
Technical Parameters

Power	400W RMS
Polegada	10 INCH
Input impedance	2K Ohms
Sensitivity	100 mV
Amplifier class	D
Frequency response (-3 dB)	10 Hz a 250 Hz
Crossover LPF	50Hz a 250Hz (-12dB/octava)
Resonance frequency	29 Hz
Power tension	90 a 240 Vac (AUTOMATIC)
Maximum consumption	220Vac- 585W / 127Vac - 470W
Dimensions (AxLxP)	339 x 322 x 403 mm
Acoustic components	1 SPEAKER 10 INCH
Cone material	Polypropylene
Cabinet	Vented Box
Cabinet finishing	Laminate
Cor	Black Ébony
Fabric finishing	Black Fabric
Cabinet weight	13.7 Kg
Product Warranty	12 Months

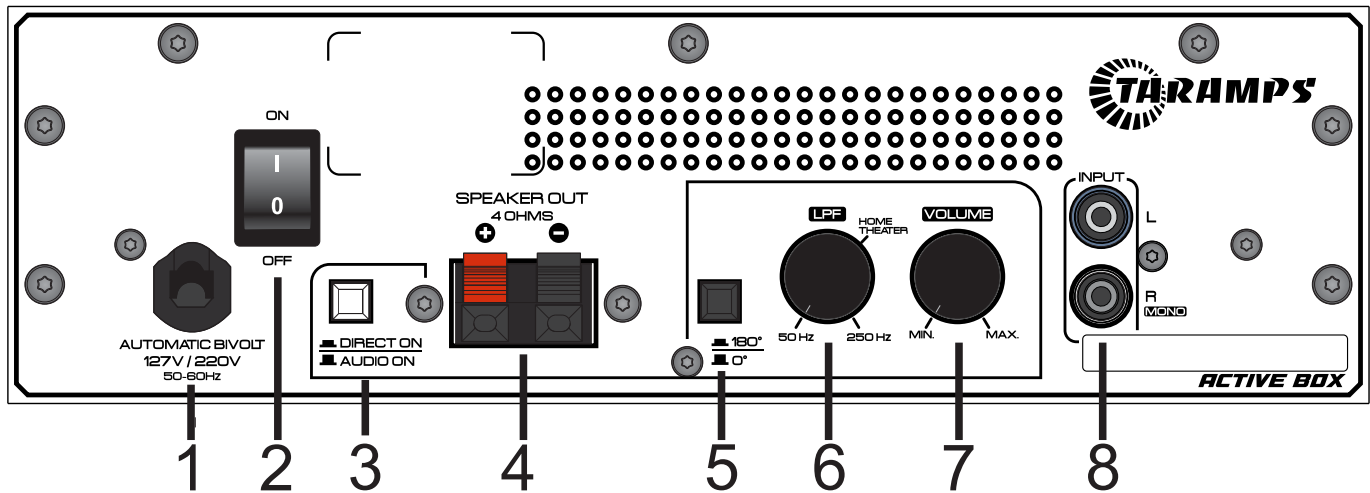
Product Dimensions



NOTA: To achieve better sound quality, it's important to position the back of your speaker close to the wall, at a distance between 10 and 20 centimeters



www.taramps.com.br



1 - **Power Cable:** Connect the cable to the electricity network. This product operates with a power supply between 90 and 240 VAC.

2 - **ON / OFF Switch:**

The key puts the product on standby, leaving it ready to be turned on using the DIRECT ON / AUDIO ON key.

3 - **DIRECT ON / AUDIO ON :**

DIRECT ON : Turns the subwoofer on and off using the on/off switch.

AUDIO ON: With the switch in the audio on position, the product turns on when it receives an audio signal and turns off after approximately 10 minutes without audio.

4 - **SPEAKER OUT:** Output for connecting a 4 ohm passive speaker. (Example TPS 408F passive taramps Box)

5 - **0° / 180°:** With the key pressed, inverts the phase of the audio signal by 180°. (To correct cancellation)

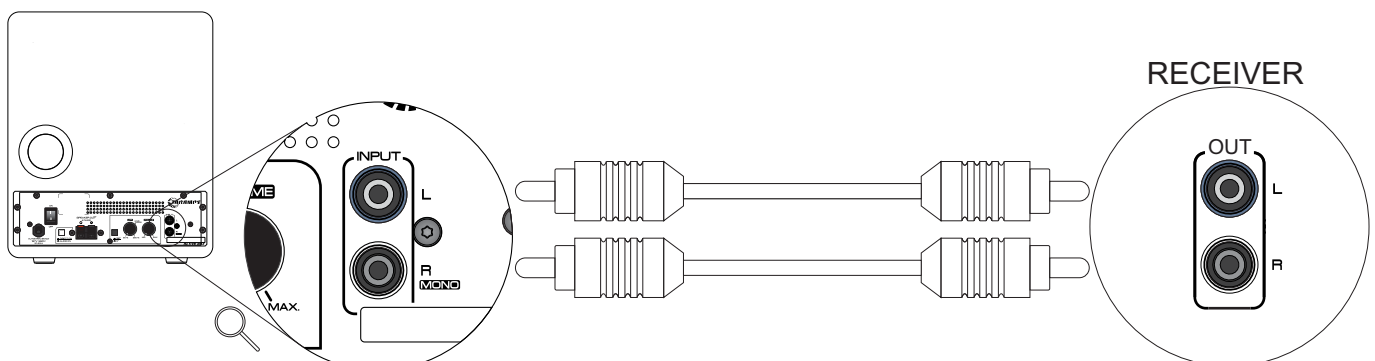
6 - **LPF:** Low pass filter. Variable adjustment of the maximum cutoff frequency from 50Hz to 250Hz. The point marked on the scale as "Home theater" is a suggestion for using the active box in a movie theater.

7 - **Volume:** Adjust the amplifier's input sensitivity, which allows a perfect adjustment to the output signal levels of market players.

8 - **INPUT (RCA):** Audio inputs. Connect them to the RCA outputs of the audio reproduction system, using good quality shielded cables to avoid noise capture. For Mono or LFE connection, use the R input.

Starting The Subwoofer

Connect the receiver/pre output to the subwoofer input.



www.taramps.com.br