

Instruction manual

# T 2.800

ProAudio



## PROFESSIONAL AMPLIFIER

### 2 x 400W RMS



The installation of this product must be done by a qualified professional.

# Index

- 01** • Term of warranty
  - Technical assistance
- 02** • Introduction
  - Safety requirements
  - Safety
- 03** • Front panel
  - Rear panel
- 04** • Stereo connection example
  - Connection to the AC mains
- 05** • Mono connection example
- 06** • Technical features

## Term of warranty

TARAMPS, located at Júlio Budisk highway, SN, KM 30 – Alfredo Marcondes, SP - Brazil, ZIP CODE 19180-000, warrants this product against any defects on terms of project, making, assembling, and/or with solidarity, due to project vices which cause in it improper or inadequacy as to the purpose for which it was produced 12 months from the date of purchase. In case of defect during the warranty period, TARAMPS' responsibility is limited to the repairing or replacement of the device of its own making.

### **This warranty excludes:**

- Damaged products by improper installation, water infiltration, violation by unauthorized individuals;
- Tamper or torn warranty seal;
- Cases in which the product is not used in adequate conditions;
- Defects caused by accessories, modifications or features attached to the product;
- The product with damage from falling, bumps, impacts or nature related problems (flooding, lightning, etc);
- Warranty card is not properly filled or torn;
- Costs involving uninstallation, reinstallation of equipment as well the shipment to the factory;
- Damage of any kind, due to problems in the product, as well as losses caused by discontinued use of the product.

## Technical assistance

For international support, check on our website:

[www.taramps.com.br/en/rede-de-assistencias-tecnicas](http://www.taramps.com.br/en/rede-de-assistencias-tecnicas) or [contact direct the factory support:](mailto:service@taramps.com.br)

Phones: +55 18 3266-4050 / +55 18 99751-4273

E-mail: [service@taramps.com.br](mailto:service@taramps.com.br)

# Introduction

Congratulations on your purchase of a Taramps product.

It was developed in a modern laboratory and with the latest technology.

This manual covers all features, operations and instructions to solve any doubt that may arise during the installation. Please take some time to read it carefully in order to ensure the proper installation and the use of all benefits that this product can offer.

For questions, please call **+55 (18) 3266-4050**, e-mail **support@taramps.com.br** or visit **www.taramps.com.br**.

## Safety requirements

-To ensure proper use, please read through this manual before using the amplifier. It is specially important that you know the **CAUTIONS** contained here.

- The installation of this amplifier must be done by a qualified professional.
- This amplifier must be installed in a firm place with at least 1" space around the heatsink for proper heat spreading.
- Do never install the amplifier in places exposed to dust, humidity, water or heat sources.
- Do not open. This product is not user serviceable.
- Don't block nor insert objects into the amplifier's ventilation openings.
- Avoid dropping this amplifier, risk of damage.
- When in use, the surface of the amplifier becomes hot. Avoid contact and keep the amplifier out of the reach of children.
- Unplug the product during lightning storms or when not in use for long periods of time.
- This amplifier can produce high sound pressure levels. Avoid continuous exposure to levels above 85dB to prevent hearing damage.
- Speaker output connections may have voltage levels when the amplifier is operating. Make sure the amplifier is OFF before proceeding with any connections or disconnections at these terminals.
- If you want to dispose of this amplifier, please do not throw it in a household waste. It must be collected by an used electronics disposal service for proper recycling.

## Safety

As you read this manual, pay attention to the safety symbols.

### CAUTION

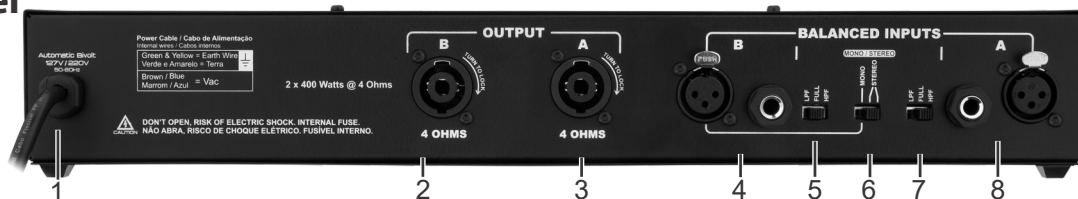
This symbol with **"CAUTION"** is intended to alert the user to the presence of important instructions. Failure to heed the instructions will result in risk of injury to user or product damage.

## Front panel



- 1 - **19" RACK MOUNT HOLE:** Use these holes to fix the T.2.800 on the rack.
- 2 - **LED CLIP OUT:** Flashing in sync with the music indicates that the amplifier is operating at the threshold of distortion on channel A.
- 3 - **LED CLIP IN:** Flashing in sync with the music indicates that the channel A input signal is reaching 8VRMS (start of saturation).
- 4 - **LED SIGNAL:** Indicates the existence of an audio signal at the input of channel A of the amplifier.
- 5 - **LED ON:** Lit, indicates that channel A is on. Flashing, indicates channel A is on protection.
- 6 - **VOLUME:** Channel A volume adjustment.
- 7 - **VOLUME:** Channel B volume adjustment.
- 8 - **LED ON:** Lit, indicates that channel B is on. Flashing, indicates channel B is on protection.
- 9 - **LED SIGNAL:** Indicates the existence of an audio signal at the input of channel B of the amplifier.
- 10 - **LED CLIP IN:** Flashing in sync with the music indicates that the channel B input signal is reaching 8VRMS (start of saturation).
- 11 - **LED CLIP OUT:** Flashing in sync with the music indicates that the amplifier is operating at the threshold of distortion on channel B.
- 12 - **ON / OFF SWITCH:** Turns amplifier power on and off.

## Rear panel



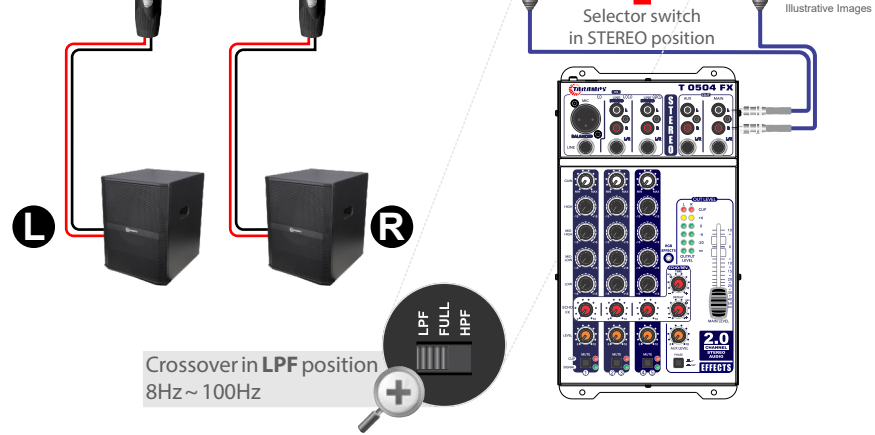
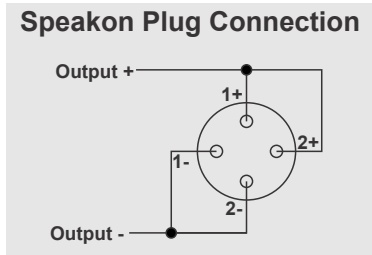
- 1 - **POWER CABLE:** Connect the cable to the AC electrical grid. This product operates on 120V AC or 240V AC (automatic dual voltage).
- 2 - **OUT B:** Channel B power output for speakers. Follow the indicated polarity and the recommended minimum impedance. (See figure on page 04).
- 3 - **OUT A:** Channel A power output for speakers. Follow the indicated polarity and the recommended minimum impedance. (See figure on page 04)..
- 4 - **B:** Balanced audio inputs with P10 or XLR connection.
- 5 - **LPF / FULL / HPF:** B-channel crossover.
- 6 - **MONO / STEREO:** In the MONO position, you can use only one audio input (INPUT B). The signal is sent to INPUT A internally. In the STEREO position, you must have two input audio signals.
- 7 - **LPF / FULL / HPF:** Channel A crossover.
- 8 - **A:** Balanced audio inputs with P10 or XLR connection.

# Stereo connection example

P10 or XLR signal inputs:

To be connected an audio mixer, equalizer, audio processor, receiver, etc...

ENGLISH



## CAUTION

Due to the presence of voltage at the output terminals when the product is on, avoid contact with them. Risk of electric shock. Connect signals with amplifier volumes at minimum. Connect the output cables only with the product off.

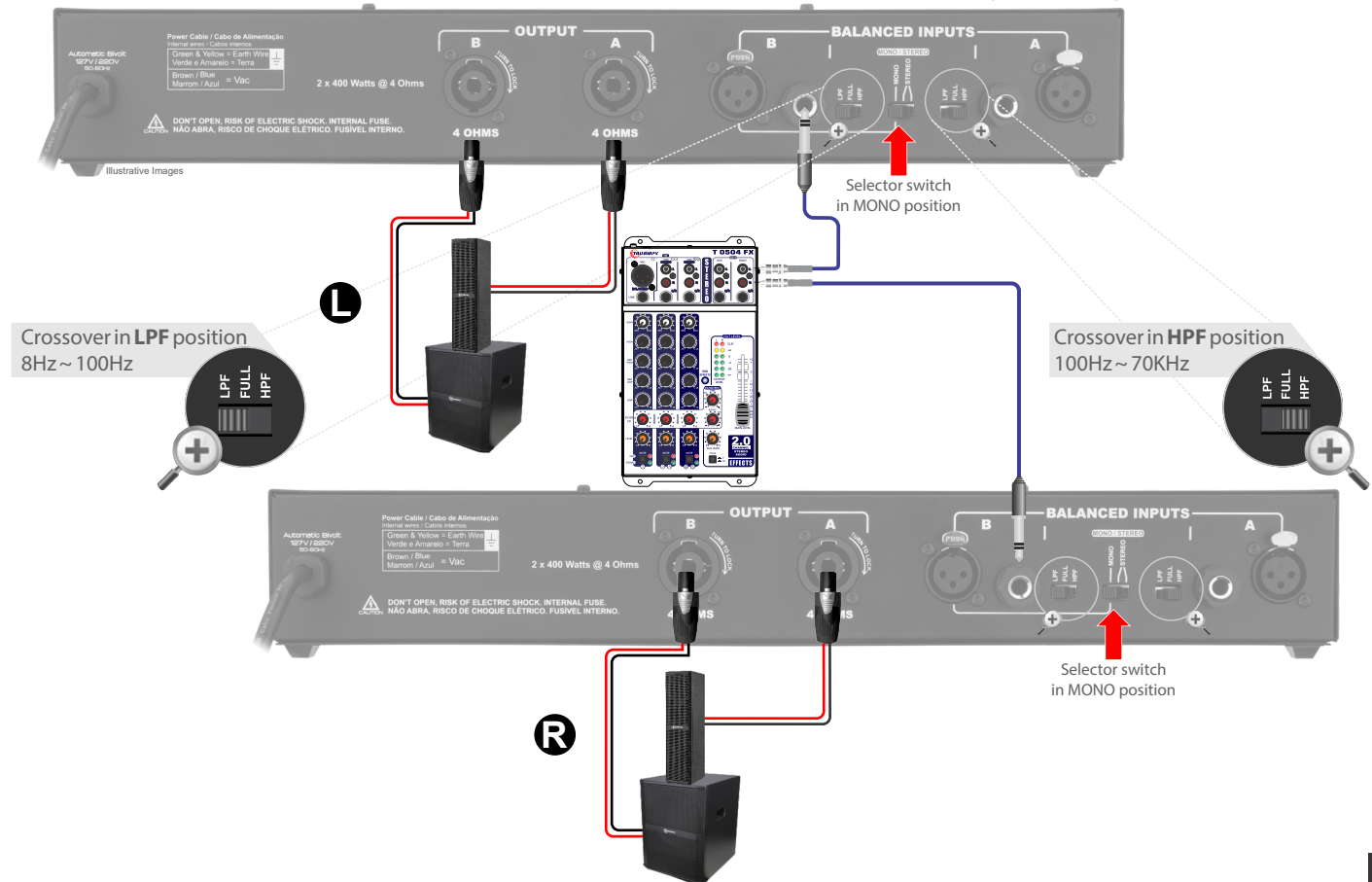
## Connection to the AC electrical grid

Ensure the wall power can handle the amplifier's maximum current draw.

# Mono connection example

ENGLISH

P10 or XLR signal inputs:  
To be connected an audio mixer, equalizer, audio processor, receiver, etc...



## Technical features


Minimum Output Impedance:	4 Ohms
Number of Channels:	02
Maximum power:	800W RMS (2 x 400W RMS)
Input sensitivity:	775mV (0dBm)
Input Impedance:	22K Ohms balanced
Signal-to-Noise Ratio:	>90dB
Frequency Response:	8Hz ~ 70KHz (-3dB) LPF 100Hz 12dB/8° HPF 100Hz 12dB/8°
Crosstalk:	>70dB
THD+N:	<0,07%
Stand-by consumption:	30W-127VAC / 30W-220VAC
Maximum consumption:	1250W-127VAC / 1425W-220VAC
Supply voltage:	127/220 VAC (Automatic dual voltage)
Fuse	20A
Protection	Short in the outputs and low impedance
Dimensions (W x H x D):	482 x 70 x 187mm (18.98" x 2.76" x 7.36")
Weight:	2.60Kg (5.72lb)

\*Nominal power with 1KHz sinusoidal signal and 4 Ohms resistive load. (Measured according to IEC 60268-3 Sound Equipment, Part 3: Amplifiers).



Taramps reserves the right to modify the contents of this document at any time without prior notice and does not have the obligation to apply the changes in units which were previously produced.



 +55 18 3266-4050

Manufactured by:  
TARAMPS ELECTRONICS LTDA  
CNPJ / TAX ID: 11.273.485/0001-03  
Júlio Budisk Highway, SN, KM30  
Alfredo Marcondes - SP  
Made in Brazil  
[www.taramps.com.br](http://www.taramps.com.br)