

Instruction manual



T 200.2 HF
100W RMS - 200W MUSICALS



The installation of this product must be made by a qualified professional.

T 200.2 HF

PASSIVE BOX WITH 2 SPEAKERS - 4 OR 8 OHMS

The T 200.2 HF Passive Speaker was designed to achieve excellent precision in audio reproduction. Thanks to its wide frequency response (76Hz to 22KHz), it guarantees accurate and natural audio reproduction throughout its entire operating range.



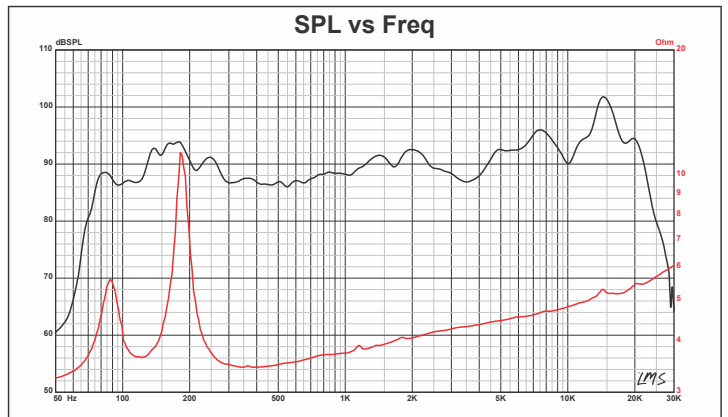
Technical parameters

RMS power_____	100 W
Musical power_____	200 W
Nominal impedance_____	4 or 8 Ohms
Sensitivity (@1W, 1m)-Free-Air_____	91 dB
Finishing_____	Painting LACA/PU
Frequency response (-6 dB)_____	76 Hz to 22 KHz
Resonance frequency_____	120 Hz
Weight without packaging_____	3.95 kg (8.69 lb)
Dimensions (WxHxD)_____	145x337x180 mm
Acoustic components_____	2 speakers 4"
Cabinet_____	MDF 15mm
Grid finish_____	Electrostatic painting
Colors_____	White or black
Recommended frequency cutoff HPF -12 dB octave_____	110 Hz

Package content

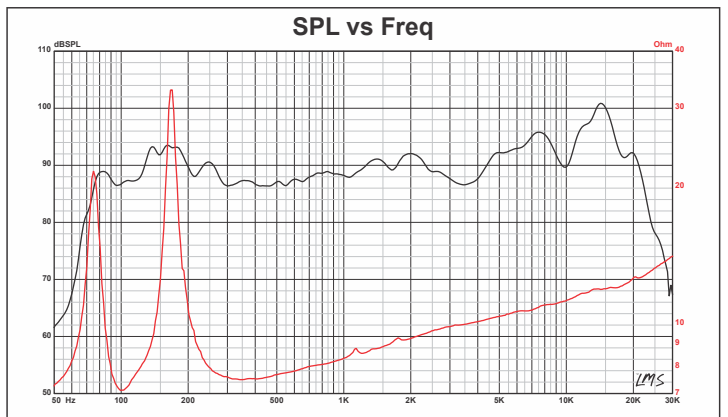
•01 (one) T 200.2 HF acoustic box;

Response curves x impedance 4 Ohms



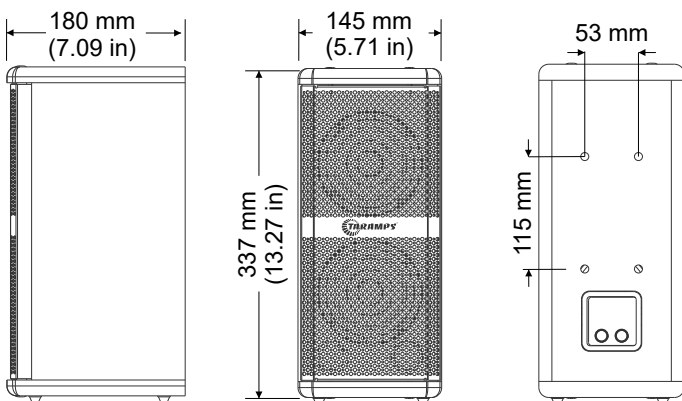
Response curve an anechoic chamber, 1W / 1M.

Response curves x impedance 8 Ohms



Response curve an anechoic chamber, 1W / 1M.

Product dimensions



NOTE: Features, specifications and aesthetic aspects are subject to change without prior notice.

Manufactured by: TARAMPS ELECTRONICS LTDA - TAX ID: 11.273.485/0001-03 - KM 30 Júlio Budisk Hwy, Da pedraira Neighborhood, Alfredo Marcondes, SP - 19180-000, Brasil - Made in Brazil