

T 780MHS

SPEAKER - 8" - 4 OHMS

The T 780 MHS is an 8-inch speaker designed to reproduce sound frequency ranges between 70 and 7,000Hz with fidelity and naturalness. It can be used in various car audio systems, such as: stage trucks front speakers, horn speakers, four-way systems, stunt walls, home speaker boxes, among others. Furthermore, it is highly recommended for professional sound systems, such as line arrays, monitors, cinemas, theaters, among other applications.



ELECTRICAL PARAMETERS

RMS POWER	390 W
MUSICAL PROGRAM POWER	780 W
NOMINAL IMPEDANCE	4 Ohms
RESISTANCE (RE)	3 Ohms/VCC
NO (EFFICIENCY REFERENCE)	1.28 %
SENSITIVITY (@ 1W, 1m)-Free-Air	93.087 dB
DIAPHRAGM MASS (MMD)	28.336 g
TOTAL MASS (MMS)	30.134 g
BL PRODUCT	11.732 TM
MECHANICAL Q (Qms)	8.386
ELECTRIC Q (Qes)	0.334
TOTAL Q (Qts)	0.321
COMPLIANCE (CMS)	128.520u M/N
EQUIVALENT VOLUME (VAS)	8.344 L
FREQUENCY RESPONSE	70 Hz to 7000 Hz
RESONANCE FREQUENCY	80.874 Hz
Le @ 1 kHz (coil inductance at 1kHz)	0.481 mH
EFFECTIVE CONE AREA (SD)	0.0213 M ²
CONE EXCURSION WITHOUT DISTORTION (X MAX)	+/- 4.5 mm
FLOW DENSITY IN THE GAP	12,380 GAUSS

Thiell-Small parameters are obtained after applying a sinusoidal level of 50hz for a period of 30 minutes. A tolerance of + - 15% on the specified values is allowed.

MECHANICAL PARAMETERS

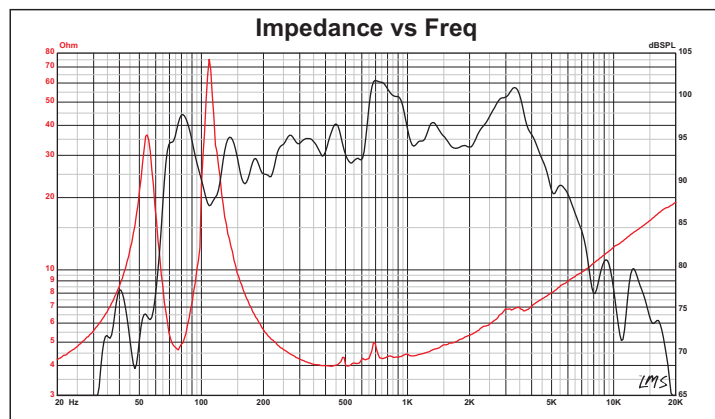
NOMINAL DIAMETER	8 Inches
FERRITE MEASURES	169 x 86 x 24 mm
COIL DIAMETER	3 Inches
COIL HEIGHT	14 mm
COIL WIRE MATERIAL	Aluminio
COIL WIRE SECTION	Flat
COIL SHAPE	*Kapton
GAP HEIGHT	6 mm
HOUSING MATERIAL	Aluminum
FERRITE MATERIAL	Barium
WEIGHT	5.684 Kg
VOLUME OCCUPIED ON THE CABINET	1.560 Liters
CONNECTOR TYPE	Post

* Kapton trademark registered by DUPONT

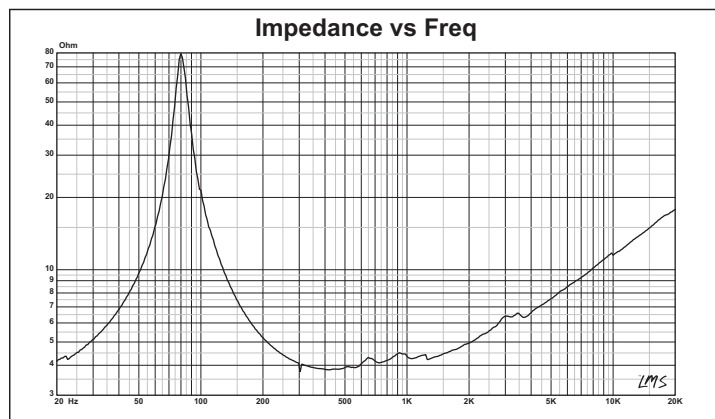
CABINETS SUGGESTION

MODEL	VOLUME	DUCTS	DUCTS	DUCTS	SINTONY	(H.P.F)	ATTENUATION
	LITERS	QUANT.	DIAM.	DEPTH			
VENTED BOX	16	02	3"(POL)	210 mm	77 Hz	70 Hz	12 dB/ Octave

NOTE: Features, specifications and appearance are subject to change without notice.

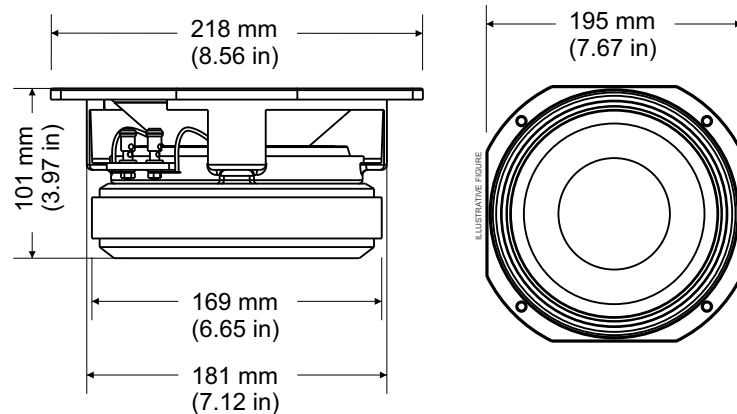


Response curve in a 50l box tuned to 31 Hz in an anechoic chamber, 1W / 1M.



Impedance curve Free-Air.

PRODUCT DIMENSIONS



T 780MHS

SPEAKER - 8" - 8 OHMS

The T 780 MHS is an 8-inch speaker designed to reproduce sound frequency ranges between 70 and 7,000Hz with fidelity and naturalness. It can be used in various car audio systems, such as: stage trucks front speakers, horn speakers, four-way systems, stunt walls, home speaker boxes, among others. Furthermore, it is highly recommended for professional sound systems, such as line arrays, monitors, cinemas, theaters, among other applications.



ELECTRICAL PARAMETERS

RMS POWER	390 W
MUSICAL PROGRAM POWER	780 W
NOMINAL IMPEDANCE	8 Ohms
RESISTANCE (RE)	5.3 Ohms/VCC
NO (EFFICIENCY REFERENCE)	1.32 %
SENSITIVITY (@ 1W, 1m)-Free-Air	93.209 dB
DIAPHRAGM MASS (MMD)	25.908 g
TOTAL MASS (MMS)	27.705 g
BL PRODUCT	14.541 TM
MECHANICAL Q (Qms)	10.383
ELECTRIC Q (Qes)	0.365
TOTAL Q (Qts)	0.353
COMPLIANCE (CMS)	130.465u M/N
EQUIVALENT VOLUME (VAS)	8.470 L
FREQUENCY RESPONSE	70 Hz to 7000 Hz
RESONANCE FREQUENCY	83.713 Hz
Le @ 1 kHz (coil inductance at 1kHz)	0.853 mH
EFFECTIVE CONE AREA (SD)	0.0213 M ²
CONE EXCURSION WITHOUT DISTORTION (X MAX)	+/- 4.5 mm
FLOW DENSITY IN THE GAP	11.800 GAUSS

Thiell-Small parameters are obtained after applying a sinusoidal level of 50hz for a period of 30 minutes. A tolerance of + - 15% on the specified values is allowed.

MECHANICAL PARAMETERS

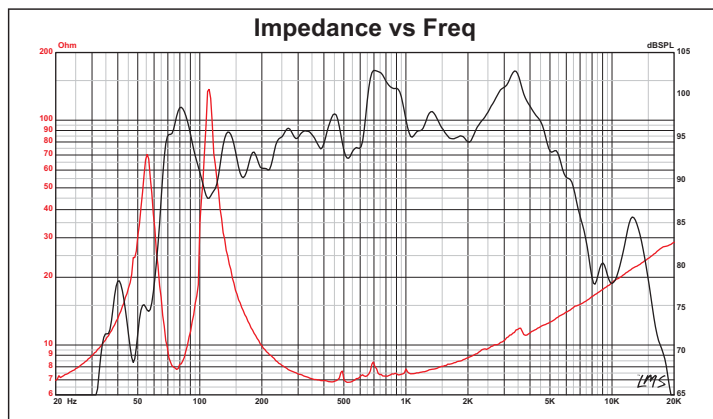
NOMINAL DIAMETER	8 Inches
FERRITE MEASURES	169 x 86 x 24 mm
COIL DIAMETER	3 Inches
COIL HEIGHT	14 mm
COIL WIRE MATERIAL	Aluminio
COIL WIRE SECTION	Flat
COIL SHAPE	*Kapton
GAP HEIGHT	6 mm
HOUSING MATERIAL	Aluminum
FERRITE MATERIAL	Barium
WEIGHT	5.684 Kg
VOLUME OCCUPIED ON THE CABINET	1.560 Liters
CONNECTOR TYPE	Post

* Kapton trademark registered by DUPONT

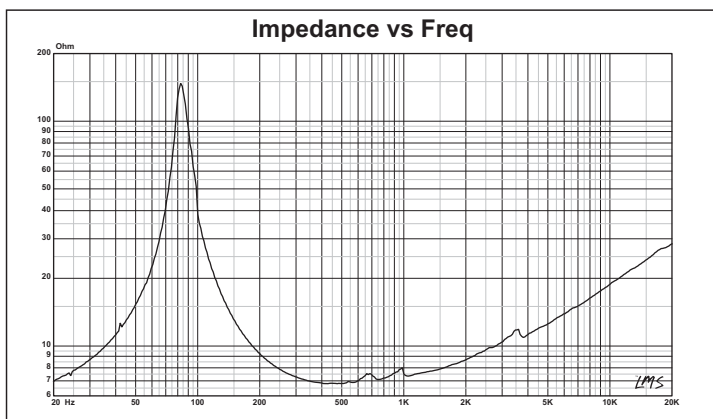
CABINETS SUGGESTION

MODEL	VOLUME	DUCTS	DUCTS	DUCTS	SINTONY	(H.P.F)	ATTENUATION
	LITERS	QUANT.	DIAM.	DEPTH			
VENTED BOX	16	02	3"(POL)	210 mm	77 Hz	70 Hz	12 dB/ Octave

NOTE: Features, specifications and appearance are subject to change without notice.

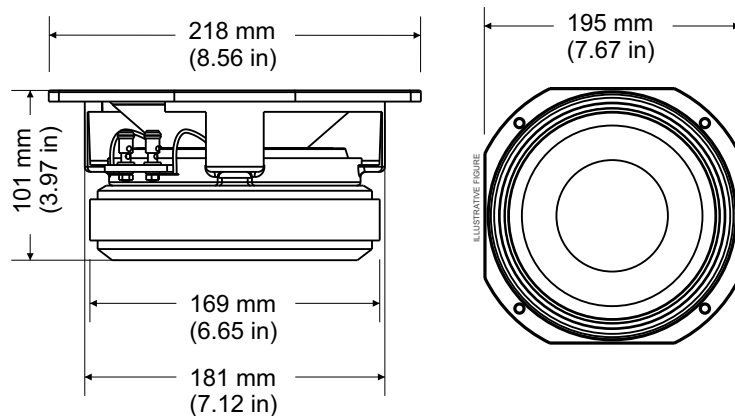


Response curve in a 50l box tuned to 31 Hz in an anechoic chamber, 1W / 1M.



Impedance curve Free-Air.

PRODUCT DIMENSIONS



WARRANTY TERM

When all our products are produced, they undergo rigorous evaluations, in each construction process until they are packaged, however, if any type of abnormality is detected, when opening the package, it must be sent to one of our authorized service stations, or directly to the factory, if there is not an authorized technician in your region. **Each and every product must undergo a technical evaluation so that the defect is identified and proven.**

The product has a warranty of 15 (fifteen) months after the issuance of the invoice, with the legal warranty of 90 days, provided for in article 26, item II, of law No. 8078/90 (Brazilian consumer protection code).

Warranty Conditions:

The product must be installed correctly, by a specialized professional, as well as respecting the product characteristics.

The customer **will NOT** have the warranty when:

- Exceed the period of 15 (fifteen) months.
- Damages incurred are caused by; transport or handling accident, or humidity.
- Defects caused by improper installation.
- Malfunctions in product parts (torn cone/dust cap, bent or broken speaker housing).
- Coils burned out by excessive power or extreme distortion conditions, causing heating above 240°.

Warranty Coverage:

- Taramps guarantees its products against any defect in material or manufacturing process, provided that, at the discretion of its authorized technicians, it is found to be defective under normal conditions of use.
- **The PRODUCT must contain the original label, on which its serial number is inserted.**
- To use the warranty, the customer must present the invoice and the warranty term, both of which must contain the serial number on the product label.

Transport

Only products that fall under the terms of warranty coverage will have their transportation expenses covered, otherwise, the expense will be at the customer's expense.

WARRANTY CERTIFICATE

NAME: _____

ADDRESS: _____

CITY: _____ ZIP: _____

STATE: _____ PHONE: _____

DEALER: _____

ADDRESS: _____

CITY: _____ ZIP: _____

STATE: _____ PHONE: _____

INVOICE NUMBER