



SFD 4300



SFD-4300, a Compression Driver, with phenolic resin membrane, carefully designed to be a great ally in the intelligibility of your sound system, providing clean and very well defined timbres from the mid to the mid-high. Strategically built combining design and resistance in its outer casing, with amazing results in any of its applications. Handling high power and displacement, within its mechanical specification. Efficiency, Design, Robustness and Performance are synonymous with this product.

ELECTRIC PARAMETERS

RMS POWER	150 W
MUSICAL PROGRAM POWER	300 W
NOMINAL IMPEDANCE	8 Ohms
*AVERAGE SENSITIVITY (@ 1W, 1 m)	112 dB SPL
FLOW DENSITY IN THE GAP	19.200 GAUSS
FREQUENCY RESPONSE (-10dB)	300Hz to 6.000Hz
RECOMMENDED MINIMUM CUT FREQUENCY (24 dB/8° active)	500Hz

Sensitivity and response obtained with long oval horn with 30x60 degrees dispersion.

NOTE: To use the recommended minimum frequency, apply a maximum of 100W RMS

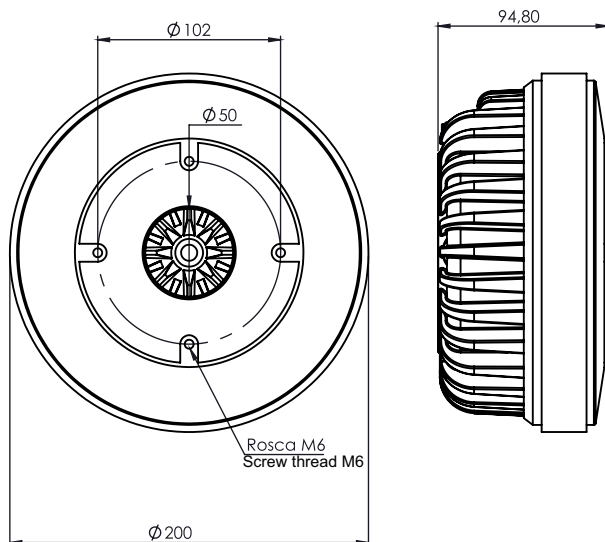
To obtain the specified power of 150 W RMS, cuts from 800 Hz to 5,500 Hz were used 24 dB BW Active, in pink noise for two hours without a horn.

MECHANICAL PARAMETERS

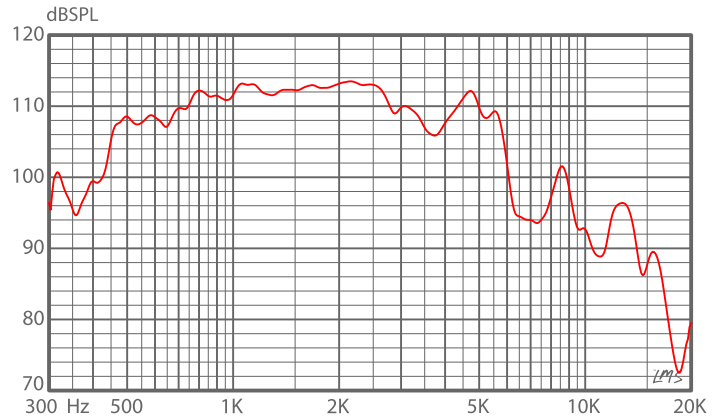
COIL WIRE MATERIAL	ROUND COPPER
COIL SHAPE	* Kapton ®
FERRITE MATERIAL	BARIUM
THROAT DIAMETER	50mm
DIAPHRAGM MATERIAL	PHENOLIC
COIL DIAMETER	100mm
WEIGHT	7,700 Kg

* Kapton ® Registered trademark by DUPONT

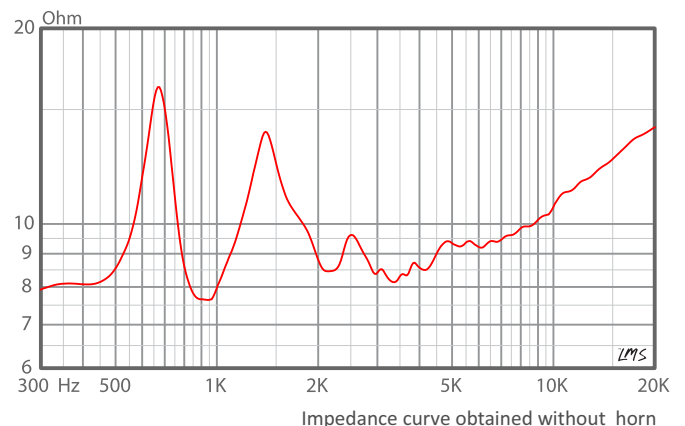
PRODUCT DIMENSIONS



FREQUENCY RESPONSE VS SPL



IMPEDANCE VS FREQUENCY



Impedance curve obtained without horn

www.taramps.com.br

Rod. Julio Budisk SP 501 s/n, - Compl. KM 30-A/SP CEP 19.180-000 Phone: +55 (18) 3266-4050 CNPJ: 23.372.795/0001-64

NOTE: Features, specifications and aesthetic aspects are subject to change without notice.

WARRANTY TERM

When all our products are produced, they undergo rigorous evaluations, in each construction process until they are packaged, however, if any type of abnormality is detected, when opening the package, it must be sent to one of our authorized service stations, or directly to the factory, if there is not an authorized technician in your region. **Each and every product must undergo a technical evaluation so that the defect is identified and proven.**

The product has a warranty of 15 (fifteen) months after the issuance of the invoice, with the legal warranty of 90 days, provided for in article 26, item II, of law No. 8078/90 (Brazilian consumer protection code).

Warranty Conditions:

The product must be installed correctly, by a specialized professional, as well as respecting the product characteristics.

The customer **will NOT** have the warranty when:

- Exceed the period of 15 (fifteen) months;
- Damages incurred are caused by; transport or handling accident, or humidity;
- Defects caused by improper installation;
- Malfunctions in product parts (torn cone/dust cap, bent or broken speaker housing);
- Cracked, split, broken membranes or with any other defect that does not originate from the factory;
- Coils burned out by excessive power or extreme distortion conditions, causing heating above 240°.

Warranty Coverage:

- Taramps guarantees its products against any defect in material or manufacturing process, provided that, at the discretion of its authorized technicians, it is found to be defective under normal conditions of use;
- **The PRODUCT must contain the original label, on which its serial number is inserted;**
- To use the warranty, the customer must present the invoice and the warranty term, both of which must contain the serial number on the product label.

Transport

Only products that fall under the terms of warranty coverage will have their transportation expenses covered, otherwise, the expense will be at the customer's expense.

WARRANTY CERTIFICATE

NAME: _____

ADDRESS: _____

CITY: _____ ZIP: _____

STATE: _____ PHONE: _____

DEALER: _____

ADDRESS: _____

CITY: _____ ZIP: _____

STATE: _____ PHONE: _____

INVOICE NUMBER